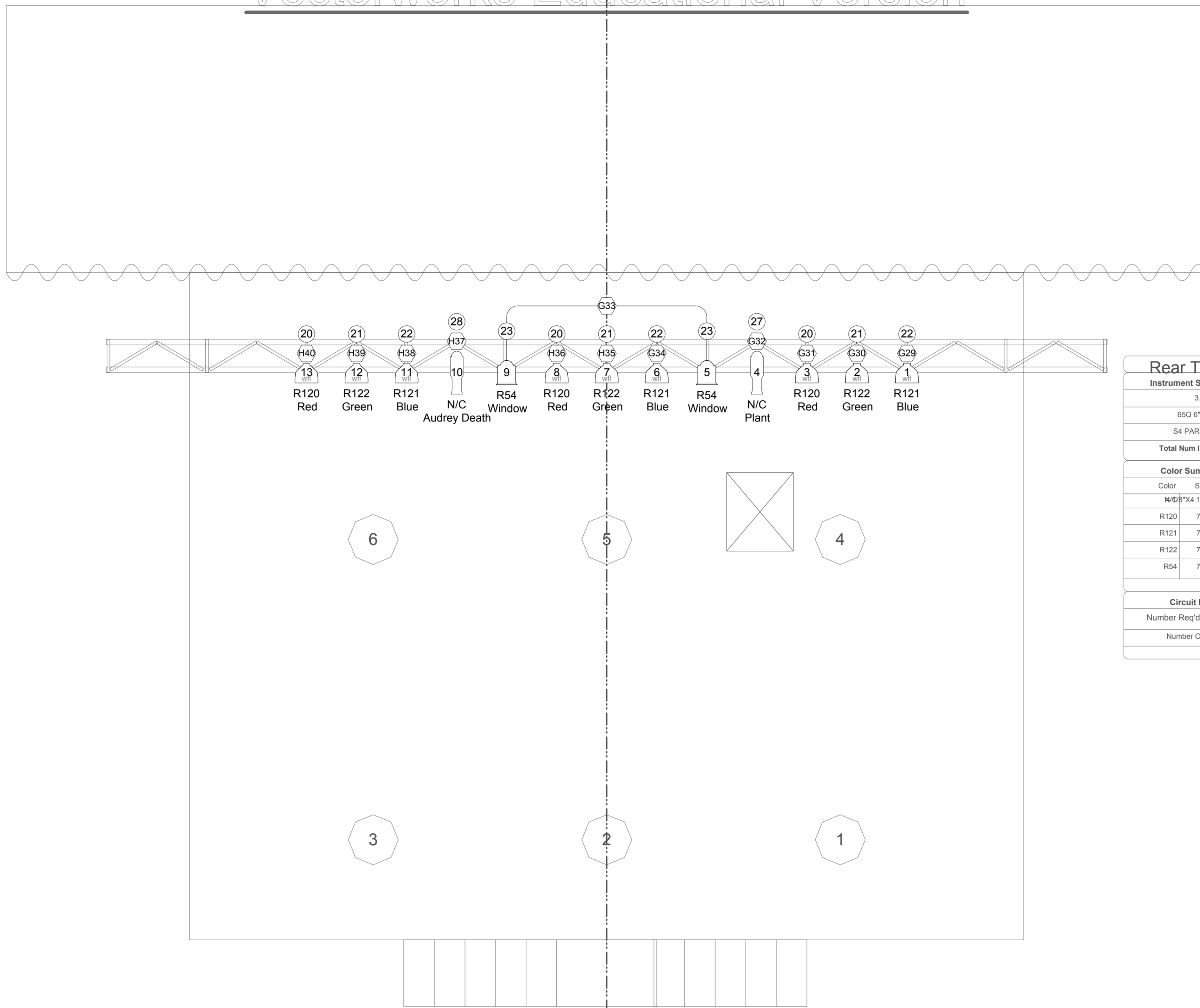


Instruments

- Alt 360Q 6x9
- Source 4 Jr 36°
- S4 PAR WFL
- 3.5Q-6
- 65Q 6" Fres
- Alt 360Q 6x16
- Alt 360Q 6x22
- Dyna-Spot

Legend

- Purpose Color
- Unit Number
- Dimmer Channel

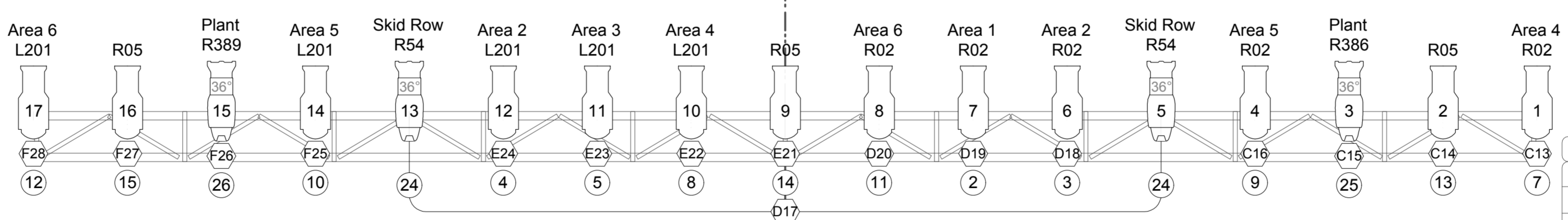
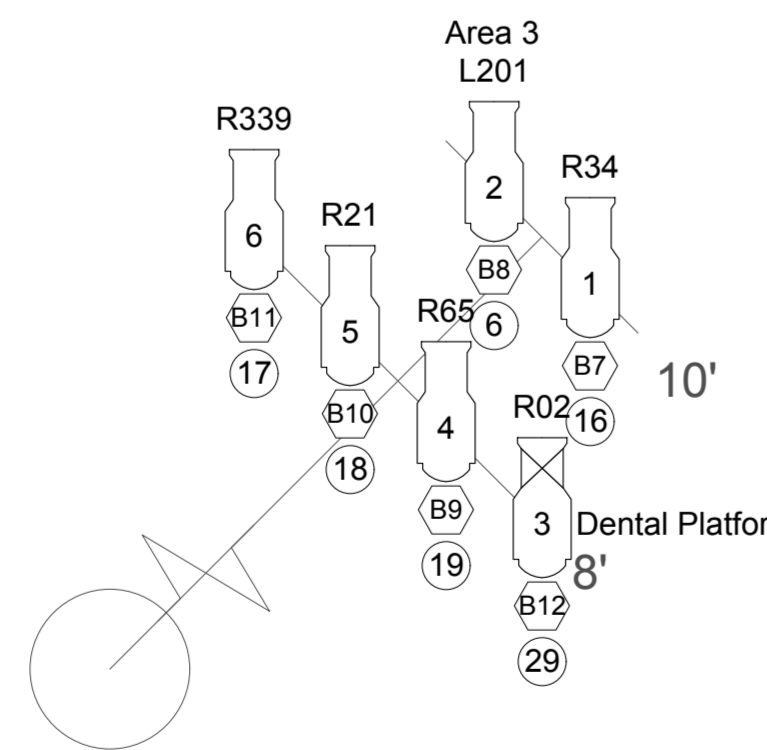


Rear Truss

Instrument Summary	
3.5Q-6	2
65Q 6" Fres	2
S4 PAR WFL	9
Total Num Insts:	13
Color Summary	
Color	Size - # Cuts
N/C 8"x4 1/8"	2
R120	7.5" - 3
R121	7.5" - 3
R122	7.5" - 3
R54	7.5" - 2
Circuit Info	
Number Req'd Circuits:	13
Number Of TwoFers:	1

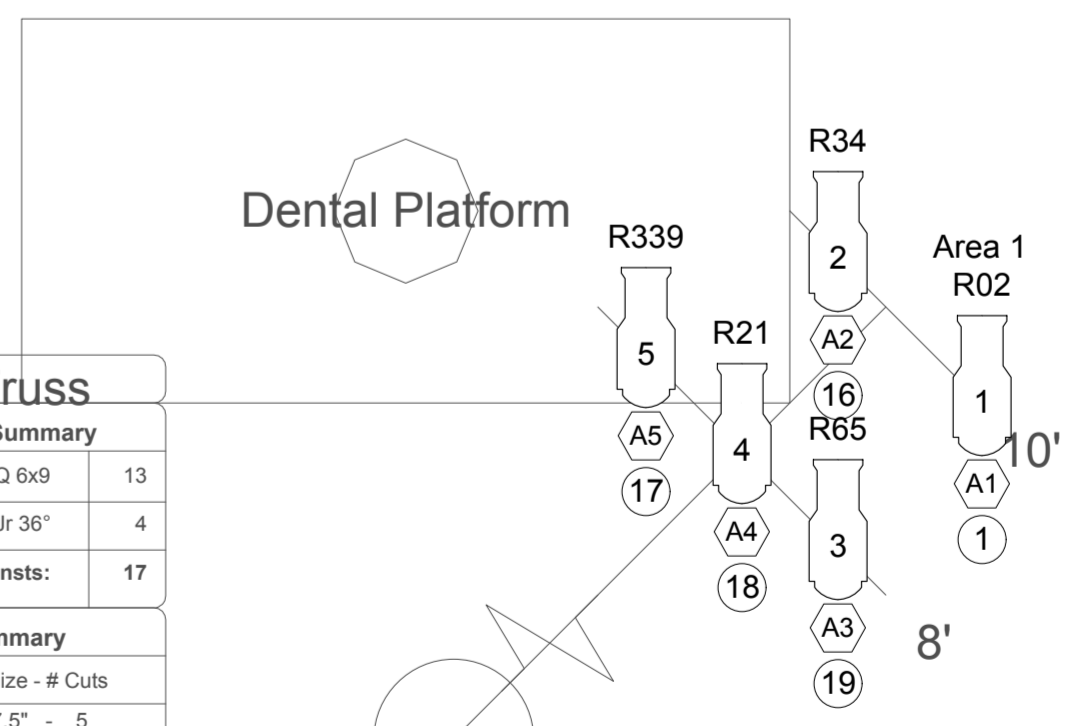
SR Boom

Instrument Summary	
Alt 360Q 6x9	5
Total Num Insts:	5
Color Summary	
Color	Size - # Cuts
L201	7.5" - 1
R21	7.5" - 1
R339	7.5" - 1
R34	7.5" - 1
R65	7.5" - 1



FOH Truss

Instrument Summary	
Alt 360Q 6x9	13
Source 4 Jr 36°	4
Total Num Insts:	17
Color Summary	
Color	Size - # Cuts
L201	7.5" - 5
R02	7.5" - 5
R05	7.5" - 3
R386	6.25" - 1
R389	6.25" - 1
R54	6.25" - 2
Circuit Info	
Number Req'd Circuits:	17
Number Of TwoFers:	1



SL Boom

Instrument Summary	
Alt 360Q 6x9	5
Total Num Insts:	5
Color Summary	
Color	Size - # Cuts
R02	7.5" - 1
R21	7.5" - 1
R339	7.5" - 1
R34	7.5" - 1
R65	7.5" - 1

Booth Rail

Instrument Summary	
Alt 360Q 6x22	1
Dyna-Spot	1
Total Num Insts:	2

Production Title: **LITTLE SHOP OF HORRORS**
Sullivan County Dramatic Workshop
August 2010

Drawing Title: **Lighting Design**

Designer: Scott M. Eckers	Director: Lori Schneider
Drawn By: Same	Scale: 1/2" = 1 foot
Venue: Rivoli Theater	Drawing No. 1 of 1
Date: 07/10/10	
CAD File Name: Rivoli.vwx	